

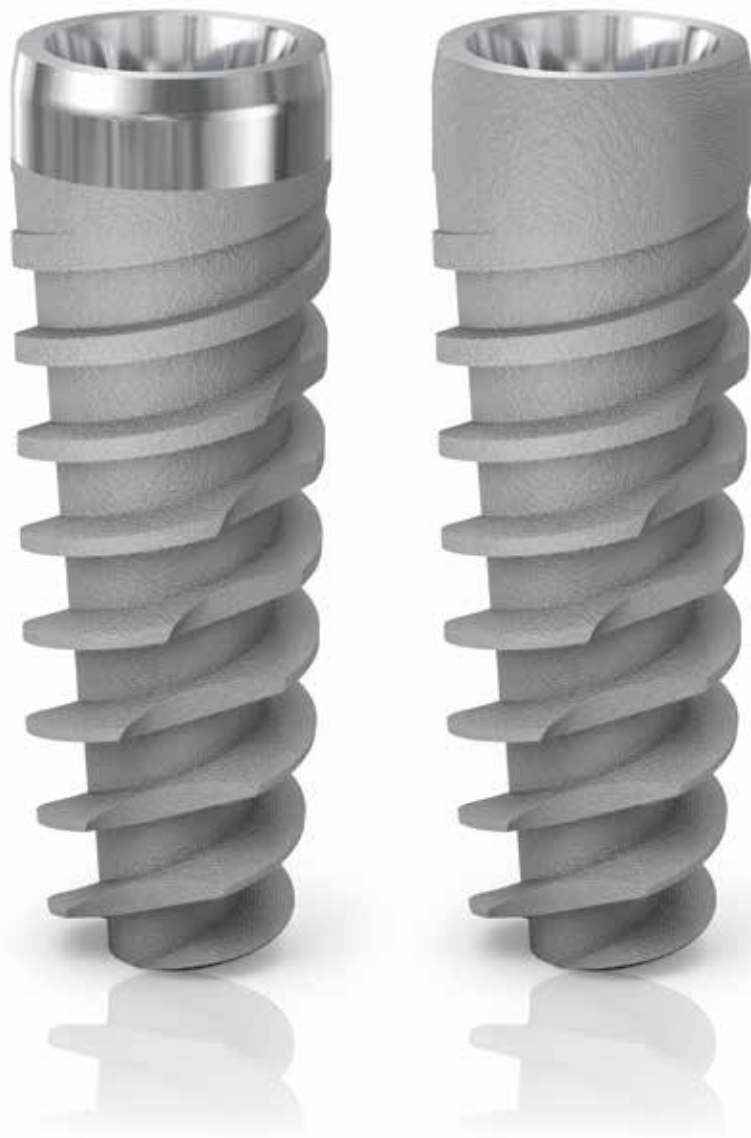


JDENTAL CARE

just smile



MADE IN ITALY



Dental Implant

JDICON[®]

Conical Connection

THE CONICAL CONNECTION.

This unique connection offers:

- Tight seal and high mechanical strength
- High level of mechanical stability under all clinical loading conditions
- Better force transition from the implant body to the prosthetic abutment
- Lower stress condition of the prosthetic screw



The conical connection is significantly **superior in term of bacterial seal** as compared to other connection systems and it is more resistant to abutment movement and microgap enlargement under loading. The internal conical connection also allows for platform shifting, allowing room for maximum soft tissue volume to safely come up onto the edge of the implant platform. This results in more **natural looking gums**

and also supports **less radiographically detectable crestal bone loss**.

Whereas with other connections, platform shifting is achieved through the use of a smaller diameter abutment on a larger diameter implant collar, the internal conical connection has the shift built-in.

The hexagonal interlocking provides a choice of six different abutment positions providing **high restorative flexibility**.

THE UNIQUE FEATURES OF AN ICON.

FEATURES

Available with 1.5 mm machined implant collar and fully treated without machined implant collar

Machined implant collar

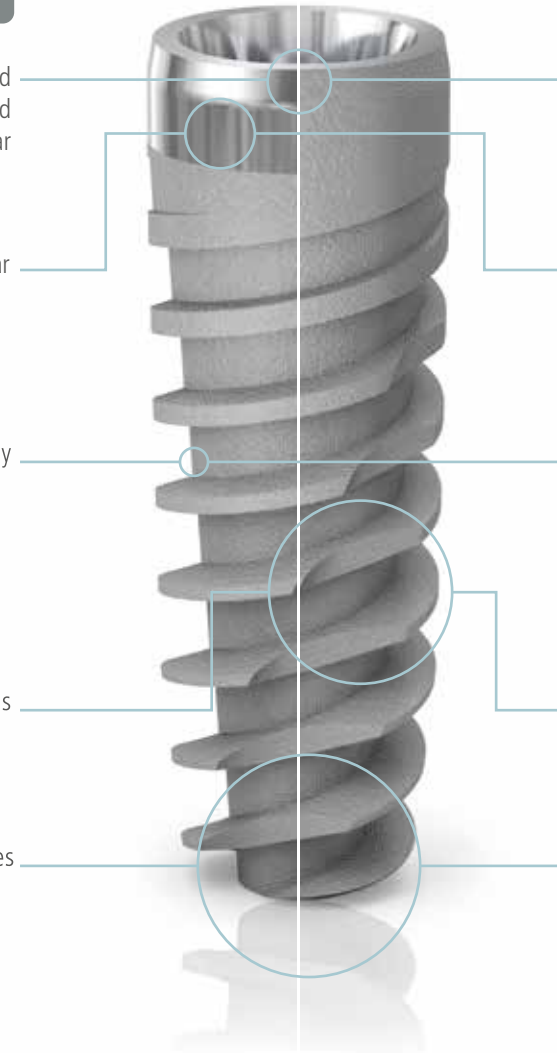
Expanding tapered inner body

Self-cutting capacity in both directions

Apical cutting blades

JDICON

JDICON F



ADVANTAGES

Maximum flexibility to meet the needs of all surgical situations

Reduce the risk of periimplantitis. Allow the placement of the top of the implant above the alveolar crest to make distance between the abutment-fixture microgap and the bone reducing bone loss.

Favours gradual condensation of bone and guarantees high primary stability, especially in compromised bone situations

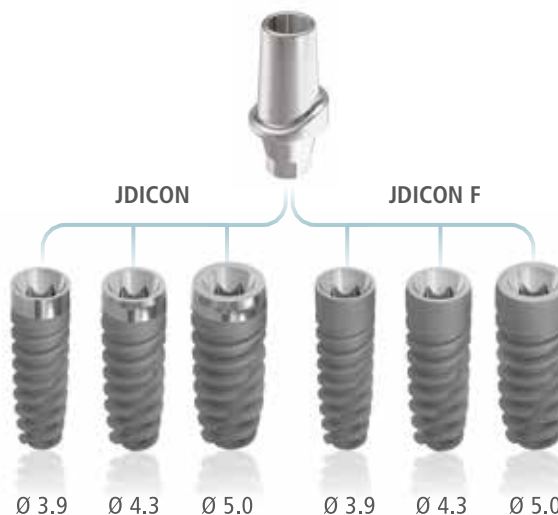
Makes it possible to achieve high primary stability with low torque

Allows it to engage smaller osteotomy

SINGLE PROSTHETIC CONNECTION.

FEATURES

- Single prosthetic connection for all diameters, Ø 3.9, Ø 4.3, Ø 5.0.
- Dual system conical connection with internal hexagon.
- Built-in platform switching.
- Complete choice of temporary and final abutments with healing abutments of various heights and emergence profiles.



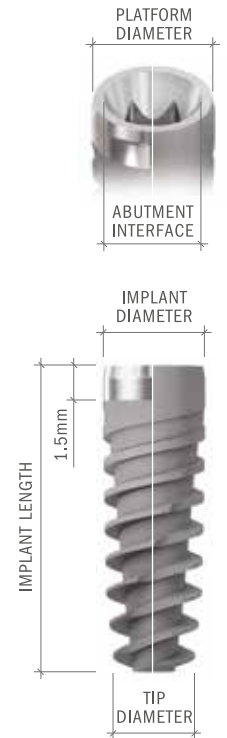
ADVANTAGES

- Simplicity of clinical process.
- Reduced inventory and enhanced working flexibility.
- Excellent connection stability.
- Sealed connection, virtually eliminating implant-abutment microgap due to the specific connection design.
- Superior mechanical strength.
- Greater hard and soft tissue stability.

PRODUCT SPECIFICATIONS.

The JD ICON® dental implant is available in the diameters and lengths shown in this chart:

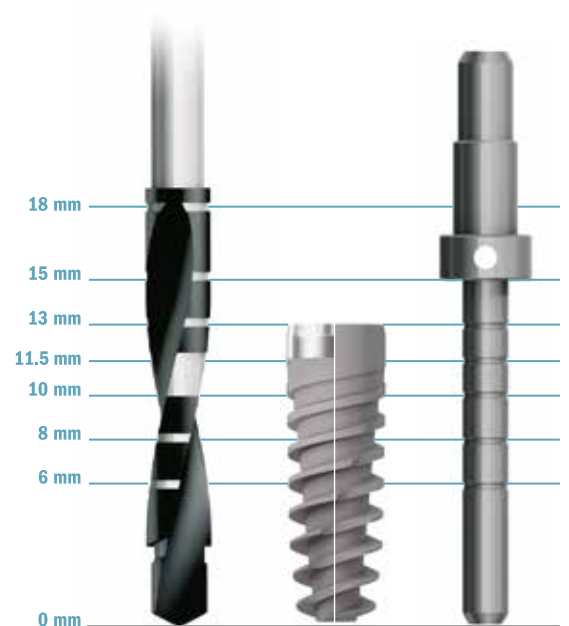
IMPLANT DIAMETER	TIP DIAMETER	ABUTMENT INTERFACE	PLATFORM DIAMETER	LENGTH					
Ø 3,9	2.9	3.4	3.9	8	10	11.5	13	15	
Ø 4,3	3.2	3.4	4.0	6	8	10	11,5	13	15
Ø 5	3.6	3.4	4.7	6	8	10	11,5	13	15



JD ICON® DRILLING PROTOCOLS.

It is recommended to adhere to the indications of the following drilling sequence to ensure optimal primary stability of the implant.

IMPLANT DIAMETER	SOFT BONE TYPE IV	MEDIUM BONE TYPE II-III	DENSE BONE TYPE I
Ø 3,9	2.0 2.4 (2.8)	2.0 2.4 2.8 (3.2)	2.0 2.4 2.8 3.2 (3.6)
Ø 4,3	2.0 2.4 2.8	2.0 2.4 2.8 3.2 (3.6)	2.0 2.4 2.8 3.2 3.6 (4.0)
Ø 5	2.0 2.4 2.8 3.2	2.0 2.4 2.8 3.2 3.6 (4.0)	2.0 2.4 2.8 3.2 3.6 4.0 (4.4)



Note: All dimensions are expressed in millimetres.

PRODUCT CATALOGUE

JDIcon with 1.5mm machined implant collar:

Ø 3,9

IC39080	JDIcon® Ø3.9 L8
IC39100	JDIcon® Ø3.9 L10
IC39115	JDIcon® Ø3.9 L11.5
IC39130	JDIcon® Ø3.9 L13
IC39150	JDIcon® Ø3.9 L15

Ø 4,3

IC43060	JDIcon® Ø4.3 L6
IC43080	JDIcon® Ø4.3 L8
IC43100	JDIcon® Ø4.3 L10
IC43115	JDIcon® Ø4.3 L11.5
IC43130	JDIcon® Ø4.3 L13
IC43150	JDIcon® Ø4.3 L15

Ø 5,0

IC50060	JDIcon® Ø5.0 L6
IC50080	JDIcon® Ø5.0 L8
IC50100	JDIcon® Ø5.0 L10
IC50115	JDIcon® Ø5.0 L11.5
IC50130	JDIcon® Ø5.0 L13
IC50150	JDIcon® Ø5.0 L15



JDIcon F fully treated:

Ø 3,9

IC39080:	JDIcon® F Ø3.9 L8
IC39100:	JDIcon® F Ø3.9 L10
IC39115:	JDIcon® F Ø3.9 L11.5
IC39130:	JDIcon® F Ø3.9 L13
IC39150:	JDIcon® F Ø3.9 L15

Ø 4,3

IC43060:	JDIcon® F Ø4.3 L6
IC43080:	JDIcon® F Ø4.3 L8
IC43100:	JDIcon® F Ø4.3 L10
IC43115:	JDIcon® F Ø4.3 L11.5
IC43130:	JDIcon® F Ø4.3 L13
IC43150:	JDIcon® F Ø4.3 L15

Ø 5,0

IC50060:	JDIcon® F Ø5.0 L6
IC50080:	JDIcon® F Ø5.0 L8
IC50100:	JDIcon® F Ø5.0 L10
IC50115:	JDIcon® F Ø5.0 L11.5
IC50130:	JDIcon® F Ø5.0 L13
IC50150:	JDIcon® F Ø5.0 L15



Cover screw:

ICCS	Cover screw JDIcon®
------	---------------------



Healing Abutment:

ICHA43	Healing Abutment Ø 4.0 H 3.0 JDIcon®
ICHA45	Healing Abutment Ø 4.0 H 5.0 JDIcon®
ICHA4	Healing Abutment Ø 4.0 H 7.0 JDIcon®
ICHA53	Healing Abutment Ø 5.0 H 3.0 JDIcon®
ICHA55	Healing Abutment Ø 5.0 H 5.0 JDIcon®
ICHA57	Healing Abutment Ø 5.0 H 7.0 JDIcon®
ICHA63	Healing Abutment Ø 6.0 H 3.0 JDIcon®
ICHA65	Healing Abutment Ø 6.0 H 5.0 JDIcon®
ICHA677	Healing Abutment Ø 6.0 H 7.0 JDIcon®



Healing Abutment Bridge:

ICHA53B	Healing Abutment Bridge Ø 5.0 H 3.0 JDIcon®
ICHA55B	Healing Abutment Bridge Ø 5.0 H 5.0 JDIcon®
ICHA57B	Healing Abutment Bridge Ø 5.0 H 7.0 JDIcon®



Impression Coping:

OPEN TRAY

ICICOT4C	Impression Coping open tray Ø 4.0 JDIcon®
ICICOT5C	Impression Coping open tray Ø 5.0 JDIcon®
ICICOT6C	Impression Coping open tray Ø 6.0 JDIcon®

CLOSED TRAY

ICICCT4C	Impression Coping closed tray Ø 4.0 JDIcon®
ICICCT5C	Impression Coping closed tray Ø 5.0 JDIcon®
ICICCT6C	Impression Coping closed tray Ø 6.0 JDIcon®



Impression Coping Bridge:

ICICOTNEC	Impression Coping Bridge Open Tray JDIcon®
-----------	--



Temporary Abutment:

ICTAEC	Temporary Abutment engaging JDIcon®
ICTANEK	Temporary Abutment non engaging JDIcon®



Straight Abutment:

ICSA4520C	Straight Abutment Ø 4.5 H 2.0 JDIcon®
ICSA4540C	Straight Abutment Ø 4.5 H 4.0 JDIcon®
ICSA5020C	Straight Abutment Ø 5.0 H 2.0 JDIcon®
ICSA5040C	Straight Abutment Ø 5.0 H 4.0 JDIcon®
ICSA6020C	Straight Abutment Ø 6.0 H 2.0 JDIcon®
ICSA6040C	Straight Abutment Ø 6.0 H 4.0 JDIcon®



GP Abutment:

ICGP40C	GP Abutment Ø 4.0 JDIcon®
ICGP50C	GP Abutment Ø 5.0 JDIcon®
ICGP60C	GP Abutment Ø 6.0 JDIcon®



Anatomic Abutment:

ICEA15C	Anatomic Abutment Ø 4.5 H 2.0 JDIcon®
ICEA30C	Anatomic Abutment Ø 4.5 H 4.0 JDIcon®
IC15A15C	Anatomic Abutment angulated 15° H 1.5 JDIcon®
IC15A30C	Anatomic Abutment angulated 15° H 3.0 JDIcon®
IC25A15C	Anatomic Abutment angulated 25° H 1.5 JDIcon®
IC25A30C	Anatomic Abutment angulated 25° H 3.0 JDIcon®



Wax Up Abutment:

ICWAEC	Wax Up Abutment engaging JDIcon®
ICWANEC	Wax Up Abutment non engaging JDIcon®



Gold Abutment:

ICGAEC	Gold Abutment engaging JDIcon®
ICGANEC	Gold Abutment non engaging JDIcon®



Prosthetic Screw:

ICS	Abutment Screw JDIcon®
ICSA	Abutment Screw angulated JDIcon®



Abutment Retrieval Tool:

ICATR	Abutment Retrieval Tool®
-------	--------------------------



Conical Abutment:

ICCA15C	Straight Conical Abutment H 1.5 JDIcon®
ICCA30C	Straight Conical Abutment H 3.0 JDIcon®
ICCA1725C	Conical Abutment angulated 17° H 2.5 JDIcon®
ICCA1735C	Conical Abutment angulated 17° H 3.5 JDIcon®
ICCA3025C	Conical Abutment angulated 30° H 2.5 JDIcon®
ICCA3035C	Conical Abutment angulated 30° H 3.5 JDIcon®
ICCASA	Screw for angulated Conical Abutment JDIcon®



TiBase, JDScanBody and Implant Replica CAD CAM:

ICSBCEC	JD ScanBody for JDIcon®
ICTIBC	TiBase engaging JDIcon®
ICTIBNEC	TiBase non engaging JDIcon®
ICTIB15C	TiBase engaging H 1.5 JDIcon®
ICTIB15NEC	TiBase non engaging H 1.5 JDIcon®
ICTIB30C	TiBase engaging H 3.0 JDIcon®
ICTIB30NEC	TiBase non engaging H 3.0 JDIcon®
EVSCBOW	ScanBody for TiBase
ICANC	Implant Replica CAD CAM for JDIcon®
ICPMNC	JD Pre-milled blanks and abutment screw JDIcon®



Interfaces

ICINTEC	Interface engaging for JDIcon®
ICINTNEC	Interface non engaging for JDIcon®



Ball Abutment:

ICBA15	Ball Abutment H 1.5 JDIcon®
ICBA30	Ball Abutment H 3.0 JDIcon®
ICBA50	Ball Abutment H 5.0 JDIcon®



Emi Abutment:

ICEMI15	Emi Abutment H 1.5 JDIcon®
ICEMI30	Emi Abutment H 3.0 JDIcon®
ICEMI50	Emi Abutment H 5.0 JDIcon®



Implant replica:

ICAN	Implant replica JDIcon®
------	-------------------------



Implant and prosthetic drivers:

ICID	Implant driver JDIcon®
ICIDL	Implant driver long JDIcon®
EVSDPF20	Screwdriver for torque wrench L20
EVSDPF25	Screwdriver for torque wrench L25
EVSDCAF	Screwdriver torque wrench Conical Abutment
EVSDP20	Screwdriver machine prosthetic L20
EVSDP25	Screwdriver machine prosthetic L25
EVSDP30	Screwdriver machine prosthetic L30
EVSDCA	Screwdriver machine Conical Abutment
EVSDPF25A	Screwdriver screw angulated for torque wrench L25
EVSDPF30A	Screwdriver screw angulated for torque wrench L30



Bone mill:

ICBM5C	Bone mill Ø 5.0 JDIcon®
ICBM6C	Bone mill Ø 6.0 JDIcon®
ICBMG	Bone mill guide JDIcon®





JDENTALCARE

www.jdentalcare.com